



gemini
ITALY

**Stick / Handheld
Rechargeable Wet & Dry
Vacuum Cleaner**

MODEL NO.: GVC14X



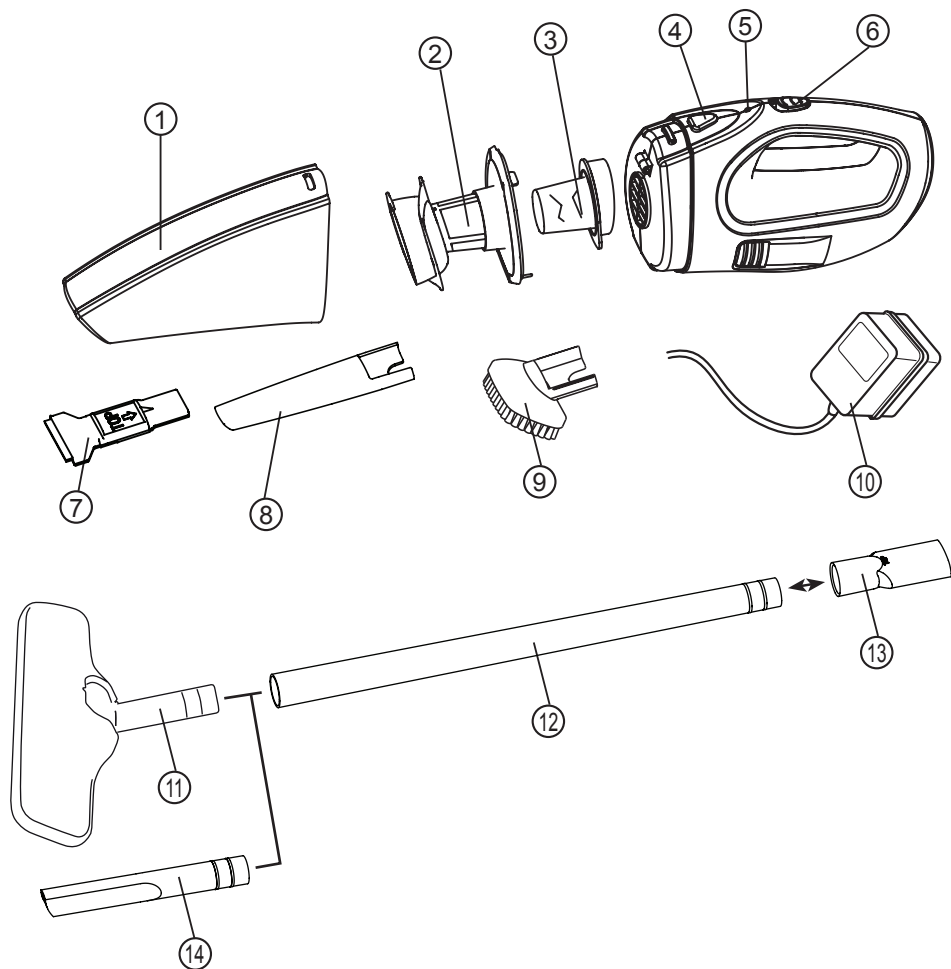
A GILMAN GROUP BRAND

IMPORTANT POINTS TO NOTE

Read all safety warnings and all instructions. Failure to follow the warnings and instructions may result in electric shock, fire and/or serious injury.

- This appliance can be used by children aged from 8 years and above and persons with reduced physical, sensory or mental capabilities or lack of experience and knowledge if they have been given supervision or instruction concerning use of the appliance in a safe way and understand the hazards involved. Children shall not play with the appliance. Cleaning and user maintenance shall not be made by children without supervision.
- Read through the instructions carefully before using the appliance for the first time. Safeguard them for future reference.
- This vacuum cleaner requires a certain amount of maintenance if it is to function properly.
- This appliance has been designed for indoors and domestic use only. It must only be used in accordance with these instructions. The manufacturer will not be held responsible for any damage caused by improper or misuse of the appliance.
- Connect it only to the voltage stated on the characteristics plate.
- Never leave the vacuum cleaner unattended while it is running.
- Do not attempt to charge the appliance at temperatures below 0° or above 40°.
- The appliance cannot aspirating an aqueous solution that may contain foaming detergent.
- Do not dismantle the vacuum cleaner while the motor is still operating.
- Never use the vacuum cleaner without the filter.
- Always keep the openings clean and prevent dust or dirt from blocking the air passage. Do not put any objects into openings. Do not use with any opening blocked until the obstacles removed.
- Never use the vacuum cleaner to suck up explosive, flammable or combustible liquids nor anything that may be still burning such as cigarette butts or ash/cinders. Never vacuum up toxic materials, organic solvents or acids.
- Never vacuum up solid, sharp or piercing objects that may damage the filter.
- Do not use wet hands to operate the cleaner, plug or unplug the charger.
- Do not leave the plug hanging freely.
- Do not expose the vacuum cleaner to outdoor weather conditions, moisture or heat.
- Do not leave the appliance close to heat sources like ovens or heaters, nor allow the cable to come into contact with hot surfaces.
- Do not clean any parts in a dishwasher.
- Do not use a wet cloth of thinner, benzene or other volatile substance to clean the unit.
- Do not immerse the motor housing, cable or charger in water or any other liquid.
- Do not take the batteries out of their compartment, excluding disposal conditions.
- Do not switch the appliance on if either the cable or plug are damaged, if it can be detected that it is not operating correctly or if it has suffered any type of damage.
- Any type of repair work other than that stated in instruction manual must be done exclusively by an Authorized Technical Service Center.
- The appliance is only to be used with the power supply unit provided with the appliance.
- The appliance must only be supplied at safety extra low voltage corresponding to the marking on the appliance.
- The appliance must be disconnected from the supply mains when removing the battery.

PARTS



- 1. Dust container
- 2. Cyclone filter
- 3. Filter
- 4. Dust container release button
- 5. Charging indicator
- 6. On/Off switch
- 7. Squeegee
- 8. Crevice tool (for handheld)
- 9. Carpet brush
- 10. Adaptor
- 11. Floor brush
- 12. Extension tube
- 13. Connector
- 14. Crevice tool (for stickvac)

INSTRUCTION FOR USE

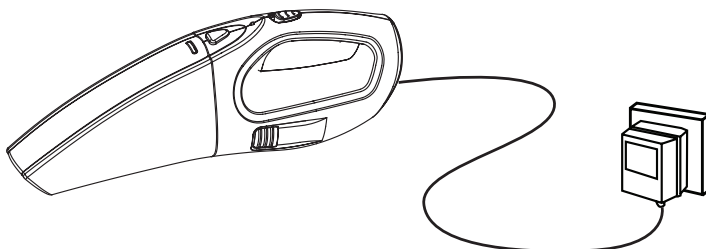
Before using your vacuum cleaner for the first time, allow the battery to charge for approx. 14-16 hours.

CHARGING

The adaptor should only be connected to a 200-240V~50/60Hz power supply. Insert the adaptor plug into the vacuum cleaner. The charging indicator will come on and recharging will start. The charging indicator remains light, even when the battery is fully recharged.

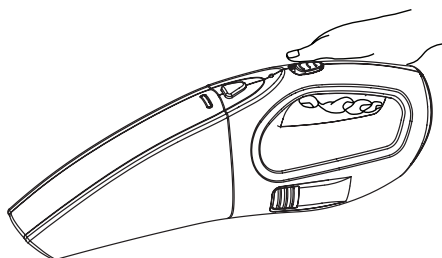
Always keep your vacuum cleaner in charging condition when not in use, in order to ensure full cleaning capacity.

NOTE: Charging should not be carried out when the ambient temperature is below 0°C or above +40°C. The charger will become warm during use. This is perfectly normal.



USING THE VACUUM CLEANER

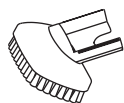
Unplug the adaptor and push the on/off switch to start it. When the switch is released, the vacuum cleaner will stop. Detach the unit from the charging base before operate.



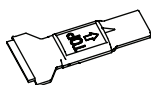
ACCESSORIES

This appliance comes with the following tools:

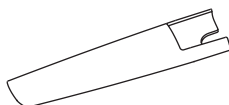
- Carpet brush - for cleaning delicate surfaces
- Squeegee - for cleaning liquid
- Crevice tool (for handheld) - for cleaning hard-to-reach places
- Crevice tool (for stickvac) - for cleaning hard-to-reach places
- Extension tube - for extension
- Floor brush - for cleaning delicate surfaces
- Connector - for connection



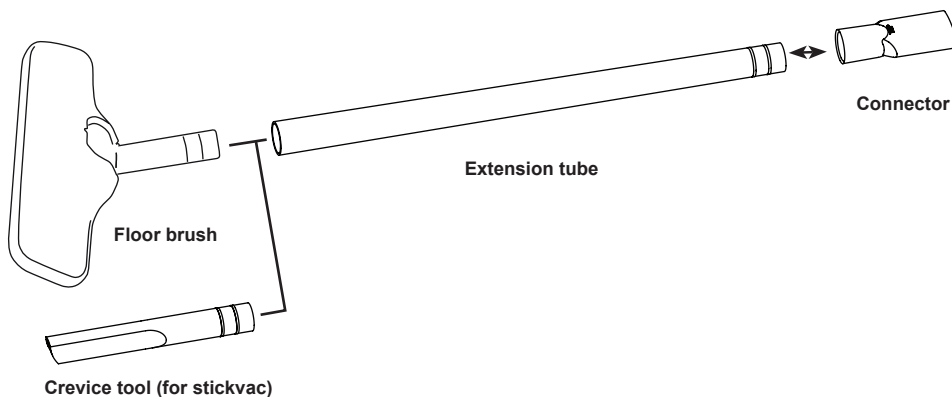
Carpet brush



Squeegee



Crevice tool
(for handheld)



Floor brush

Extension tube

Connector

Crevice tool (for stickvac)

WET VACUUM CLEANING

1. Empty the dust container of all dry dust.
2. Ensure the filters assembly installed.
3. Insert the squeegee in front of the dust container.
4. During use, pointing the head of vacuum cleaner to downwards.
5. After use, empty the dust container immediately.

CARE AND MAINTENANCE

The performance of the cleaner is dependent on the condition of the dust container and the filter. The dust container should be emptied and cleaned regularly.

Cleaning the dust filter and dust container:

- Check that the vacuum cleaner is switched off.
- Hold the vacuum cleaner with the nozzle pointing downwards.
- Press the release button, and unfasten the dust container from the motor unit.
- Dismantle the filter and liquid separator from the dust container.
- Empty the dust container.
- If necessary, wash the filter in lukewarm soapy water, rinsing thoroughly afterwards.
- Make sure that the filter is completely dry before reinserting it in position.

Note: Your vacuum cleaner's plastic part should not be machine washed.

PRODUCT SPECIFICATIONS:

MODEL NO.	:	GVC14X
VOLTAGE	:	14.4V DC
BATTERY TYPE	:	14.4V Rechargeable Battery
CHARGER RATING	:	200-240V~50/60Hz 22V, 200mA DC
CHARGING TIME	:	14 - 16 hours
OPERATION TEMPERATURE	:	0°C - 40°C

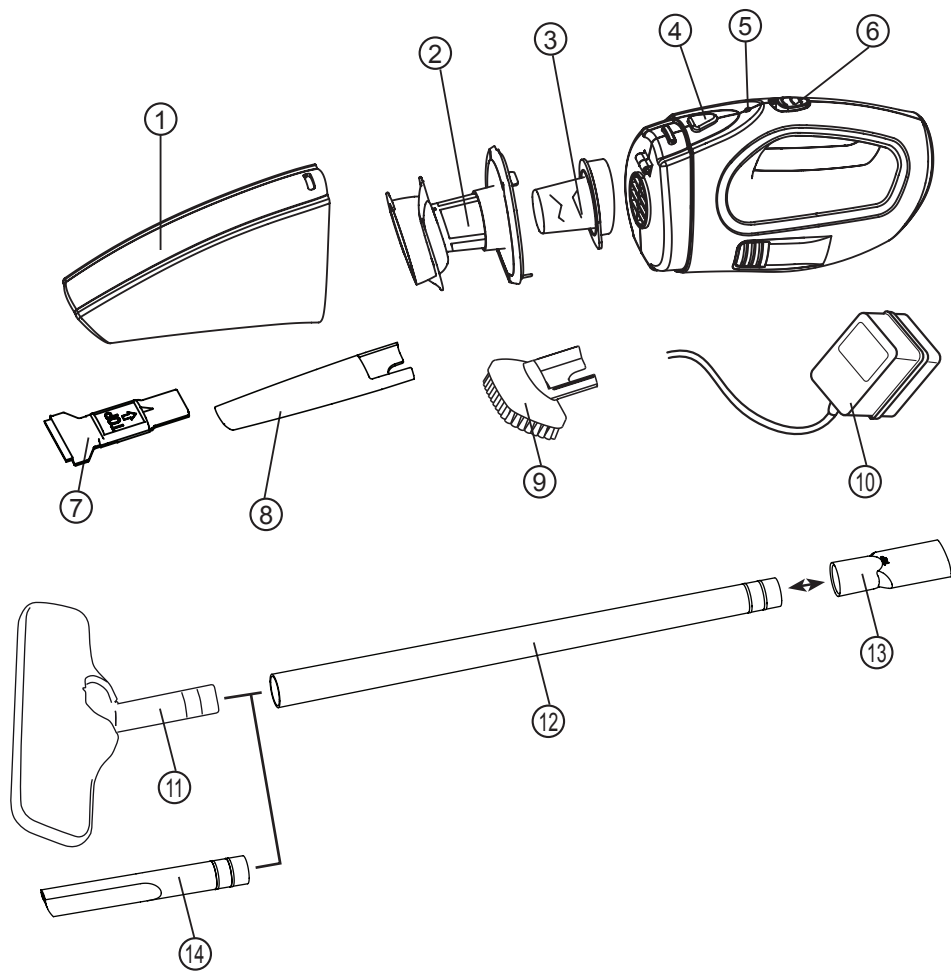


重要事項

閱讀所有的警告提示和指示。如未確實遵循警告提示和指示，可能導致電擊、火災、或其他嚴重傷害。

- 本產品原本並不是設計提供給兒童以及身體、感官或心智能力有缺陷，或是缺乏相關經驗及知識的人士使用。八歲以上兒童以及身體、感官或心智能力有缺陷，或是缺乏相關經驗及知識的人士，只要在他人照看下或接受過如何安全處置此吸塵器的指導，並充份瞭解相關危險，即可使用該吸塵器。否則可能會造成操作上的錯誤以及受傷危險。
- 第一次使用本產品前，請徹底閱讀本產品說明書。讀後，請妥善保存說明書。
- 如本產品功能良好及運作正常，請定期檢查及保養本產品。
- 本產品只限於室內及家居使用，請遵從說明書上的使用方法使用。生產商/供貨商概不負責因任何不正當或錯誤使用而造成的任何損失。
- 請按照產品上及充電器上的電源標籤連接電源，否則會造成損壞。
- 必須看管好處於運作狀態的吸塵機。
- 不可在低於0°C或高於40°C的溫度情況下進行充電。
- 不可吸入任何可能產生泡沫的洗滌劑或水溶液。
- 產品運作時，不可拆開本產品。
- 確保塵網組件安裝好，才可使用本產品，否則可能造成損壞。
- 吸入口與通風口不得遮蓋或堵塞。不可阻塞所有開口，開口被阻塞時不可使用，至阻塞物被移除。
- 不可使用本產品吸入任何正在燃燒/燃點的物品，如燃點的香煙或煙灰。不可吸入任何爆炸性物質、易燃性物品、可燃性液體、高溫物品、毒性物質、有機溶劑、腐蝕性或強酸性物質。
- 不可吸入如玻璃碎片、釘子、石頭、針頭或刀片等邊緣銳利的物品。以免過濾器受損。
- 手濕時不要使用本產品、插入或拔出充電器。
- 不使用充電器為產品充電時，請拔出充電器及妥善保存。
- 請勿暴露本產品於室外、潮濕或高溫環境。
- 請勿放置本產品和充電器電線於熱源附近，如暖爐、發熱器等。
- 不可使用碗碟機清洗本產品的組件。
- 不可使用任何溶劑、苯或易揮發的物質清潔本產品。
- 不可把本產品，包括馬達組件、電線和充電器等浸於水或任何液體中。
- 如非棄置本產品，切勿拆開本產品取出電池。
- 如發現本產品有損壞，如運作不正常、電線損壞和插頭損壞等情況，請勿開動本產品。
- 除本說明書內提及的問題和維修方法外，請勿自行維修。如需維修及查詢，請聯絡本說明書指明的客戶服務中心。
- 只能使用本產品提供的充電器為本產品充電。
- 本產品為安全低電壓產品。
- 當棄置本產品和已移除內部電池後，切勿連接充電器。

部件



- | | |
|------------|------------------|
| 1. 儲塵箱 | 8. 縫隙吸咀 (手提式應用) |
| 2. 前塵網 | 9. 地毯塵刷 |
| 3. 塵網 | 10. 充電器 |
| 4. 儲塵箱開關按鈕 | 11. 地耙 |
| 5. 充電指示燈 | 12. 伸延管 |
| 6. 開關制 | 13. 連接器 |
| 7. 水刮 | 14. 縫隙吸咀 (加長式應用) |

使用前

第一次使用前，請把吸塵機充電約 14 - 16 小時至滿電狀態。

充電

確保吸塵機已關上。

把充電器的小插頭插入吸塵機，之後把充電器插入電源。

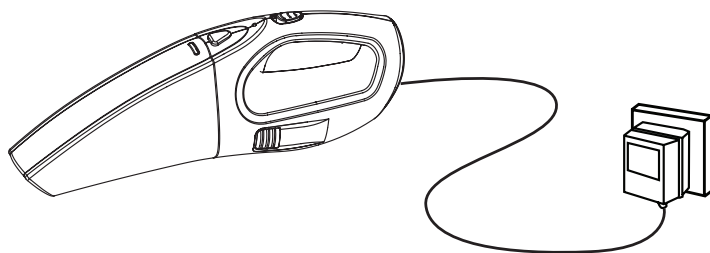
充電指示燈會亮起，這表示吸塵機正在充電中。

充電指示燈會一直亮著，直至把充電器從吸塵機拔掉。

本產品充電設計是可以給長時間充電，並且對本產品沒有任何影響。

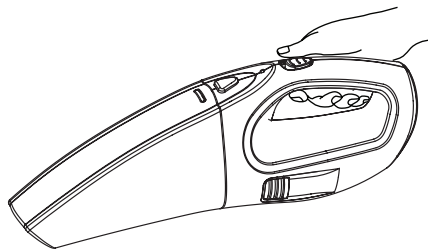
注意：

充電時，請確保環境溫度在 0°C 至 40°C 之間。充電時充電器會產生熱力，這是正常情況。



使用吸塵機

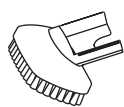
使用前請拔掉充電器，將開關制往前推，即可開啟吸塵器電源。將開關制往後推，即可關閉吸塵器電源。



配件

本產品附有以下工具：

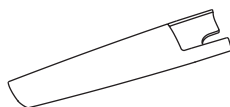
- 地毯塵刷 - 用於清潔細微表面。
- 水刮 - 用於清潔液體。
- 縫隙吸咀 (手提式應用) - 用於清潔難到地方。
- 縫隙吸咀 (加長式應用) - 用於清潔難到地方。
- 伸延管 - 用於延長。
- 地耙 - 用於清潔細微表面。
- 連接器 - 用於連接。



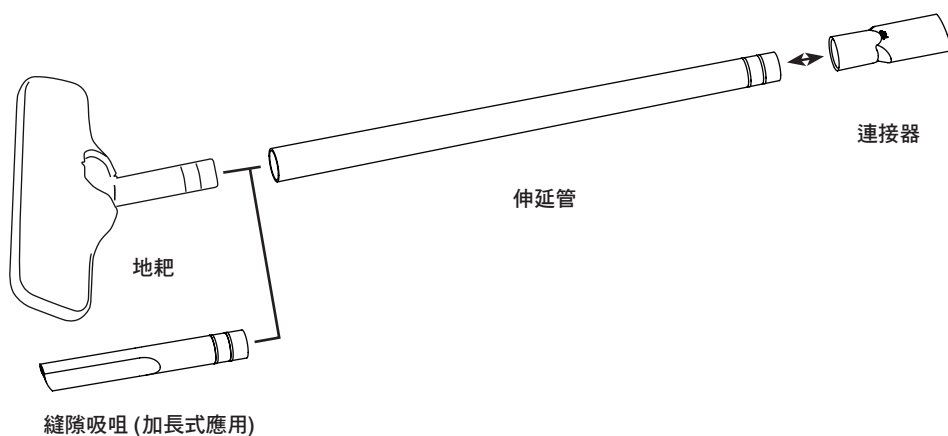
地毯塵刷



水刮



縫隙吸咀 (手提式應用)



縫隙吸咀 (加長式應用)

吸水功能

1. 清空儲塵箱內的垃圾。
2. 請確保塵網組件已安裝妥當。
3. 將水刮插入儲塵箱吸入口，並確保水刮已穩固安裝。
4. 使用時，請保持吸入口指向下方。
5. 使用後，請立即清理儲塵箱。

清潔儲塵箱和塵網

吸塵機的表现是根據不同的儲塵箱和塵網而定。儲塵箱需經常保持清潔及清理內裡塵埃。

- 確保吸塵機已關上。
- 吸塵機機頭向下。
- 按下儲塵箱開關按鈕，把儲塵箱和吸塵機分離。
- 把儲塵箱內的塵埃和垃圾清理，如果過於污穢，可用清水清洗塵網。
- 確保塵網和儲塵箱乾透才可以放回機身。
- 把塵網放回儲塵箱，再把它們放回機身，使用吸塵機前必須確保塵網已安裝。

注意：所有本產品的零件及配件都不能機洗。

產品規格

產品型號	: GVC14X
工作電壓	: 14.4V DC
電池	: 14.4V 充電電池
充電器電器資料	: 200-240V~ 50/60Hz 22V, 200mA DC
充電時間	: 14 - 16 小時
工作溫度	: 0° C 至 40° C



請記錄下列產品資料

● 型號

● 機身編號

● 經銷商名稱

● 購買日期

本產品不斷改進中，如功能有所更改，恕不另行通知，如有疑問，請與客戶服務中心聯絡，不便之處，敬請原諒。

說明書內容以英文版本為準

ToolBox Customer Service Centre 客戶服務中心：

7/F., Goodwill Industrial Building, 36-44 Pak Tin Par Street, Tsuen Wan, N.T.
新界荃灣白田壩街36-44號信義工業大廈7樓

Customer Service Hotline 客戶服務熱線：(852) 8210 8210

Service E-mail 電郵地址：8210service@gilman-group.com

Please register now at 請即上網登記：www.toolbox.hk

Website 網址：www.gilman-group.com



Proudly Serviced by:



太平家庭電器

2/F, Shing Dao Industrial Building, 232 Aberdeen Main Road, Hong Kong
香港香港仔大道232號城都工業大廈2樓